

Motor Encoder Guard Retrofit Kit

Follow these procedures to install the Canrig motor encoder retrofit kit on the 2000 HP Single Speed Commander™ Drawworks.

Issue

Water may ingress the motor encoder causing false readings and shutdowns. Canrig has designed a motor encoder guard retrofit kit to protect the encoder from water exposure.

Recommendation

Install the motor encoder guard retrofit kit on both traction motors, Canrig Part No. AY21564. Order this kit (two are needed) from RigLine 24/7™ Support.

Procedure



Warning! Follow proper lock-out/tag-out procedures before performing any work on the drawworks.

1. Remove old motor encoder guard, if present.
2. Remove existing encoder cable support bracket (DT21050). Retrofit guard design has this bracket integrated.

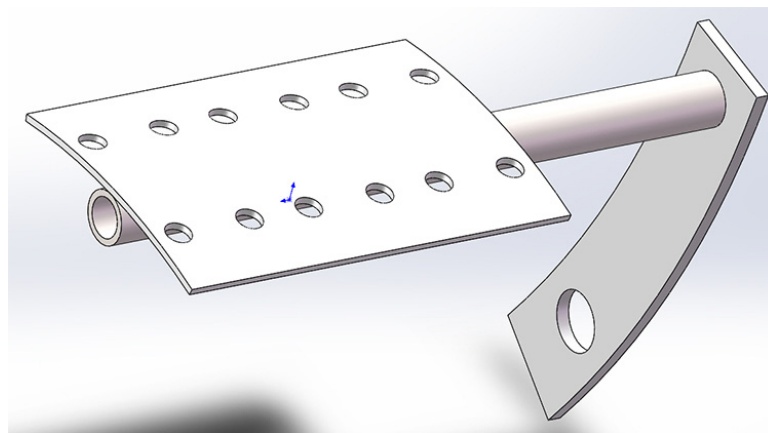


Figure 1: Existing encoder cable support bracket (DT21050), which will be replaced.

3. Remove existing encoder tether. Retrofit guard design has tether support integrated.

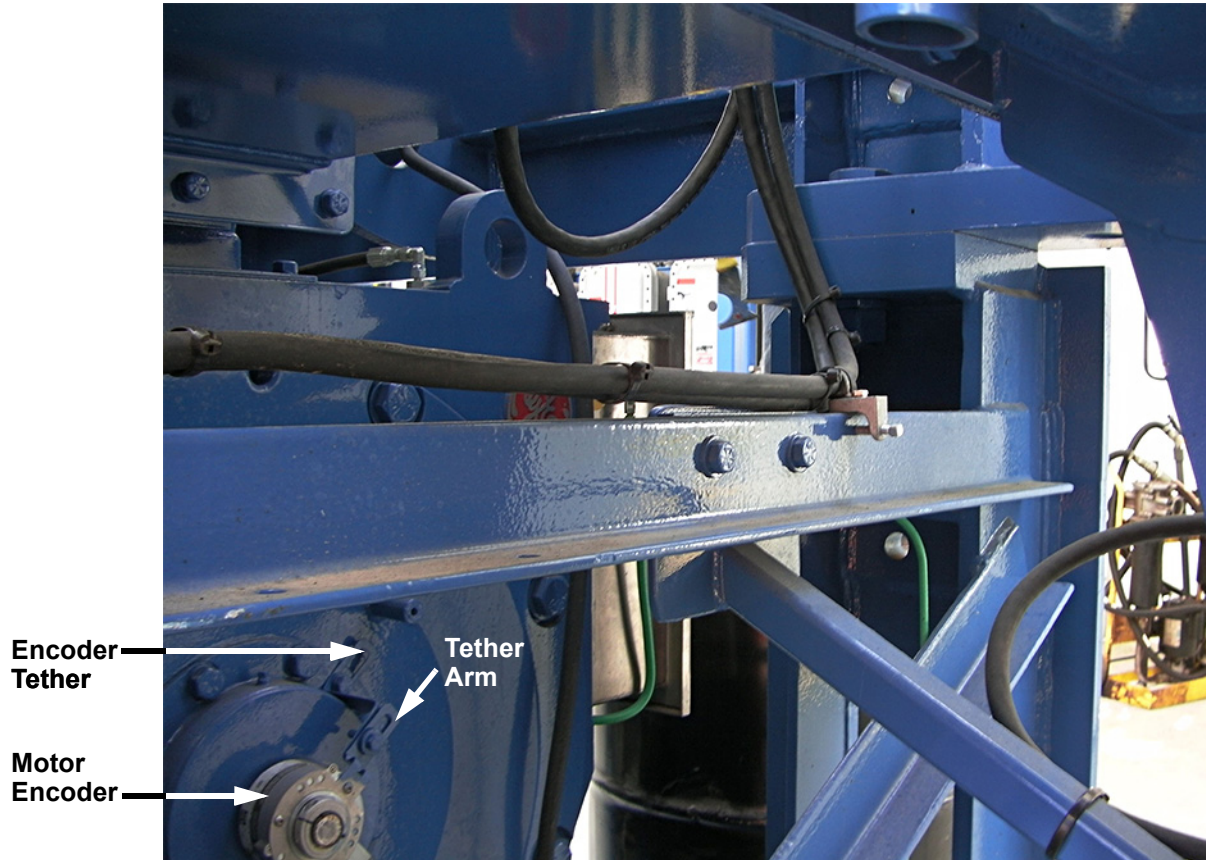


Figure 2: Motor encoder, encoder tether, and tether arm

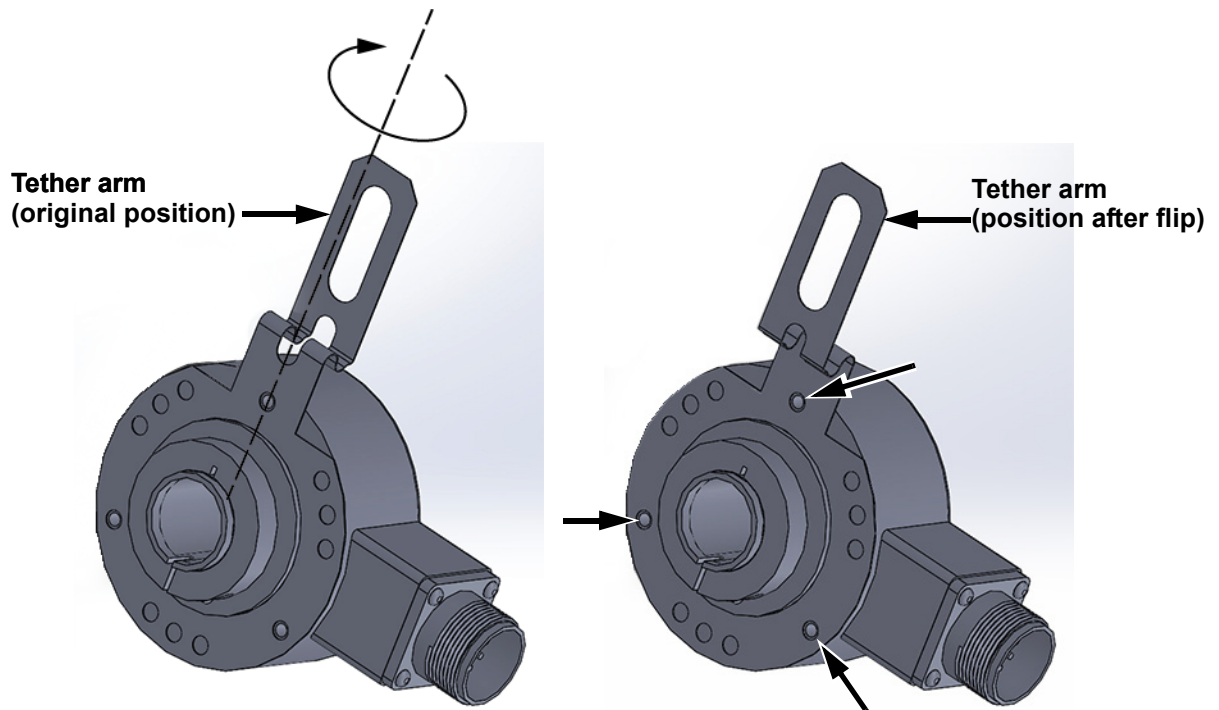


Figure 3: Tether arm, original and after flipping position

4. Re-attach tether arm to motor encoder using three existing bolts.

5. Install motor encoder guard retrofit using three hex head bolts and washers.
6. Secure tether arm to a bolt running through the hole of the tether support inside the motor encoder guard. The tether arm may need to be straightened.
7. Attach the motor encoder cable with zip-ties to the cable support bracket of the motor encoder guard.

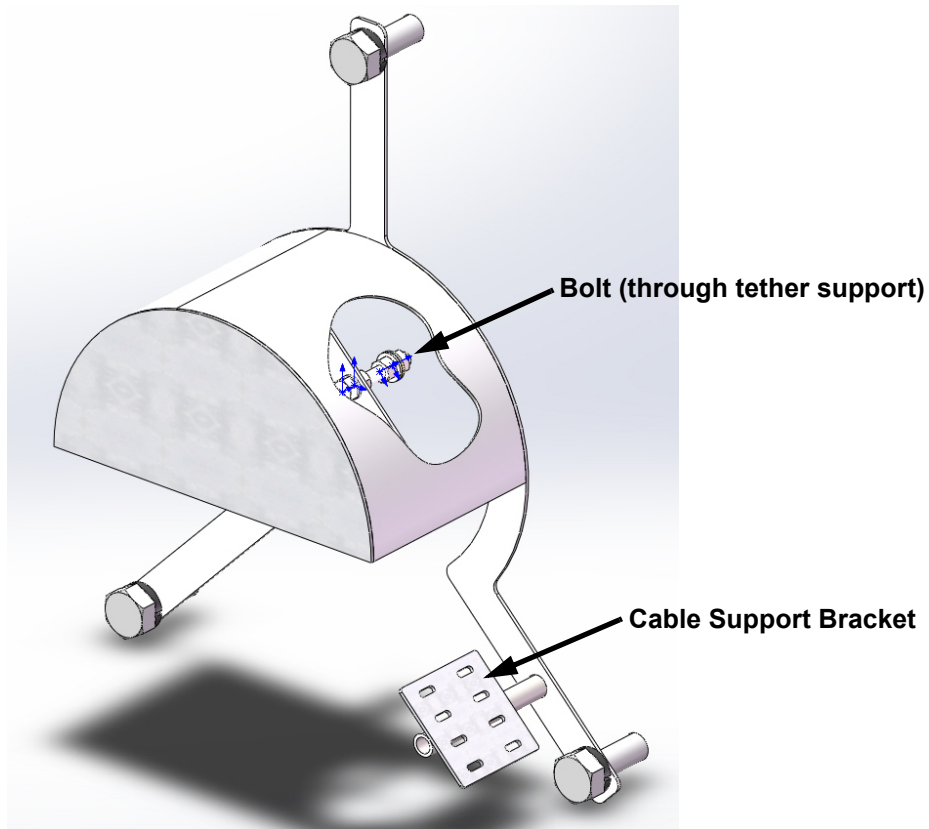


Figure 4: Motor encoder guard retrofit kit

8. Repeat steps 1 through 9 on second motor.
9. Remove lock-out/tag-out.
10. Start up the system and test.