



Model: See Affected Units

Serial #: N/A

Nov. 4, 2020

Product Bulletin # TDS-225 v 2.0

## LWCV Actuator Bearing Greasing

### Affected Units

All top drives with a Canrig manufactured LWCV actuator.

### Recommendation

Canrig would like to make the following recommendation for the greasing of the LWCV actuator bearings.

- For new assemblies and rebuilds, hand pack the bearings with grease.
- For units in the field, to ensure the bearings are fully packed, grease the bearings to excess. Use the following procedure:
  1. Remove the middle guard panel on the side with the two grease nipples in order to see the outside surfaces of the labyrinth seals (see Figure 1). Clean the surfaces so the areas around the labyrinth seals are free of dirt and grease.

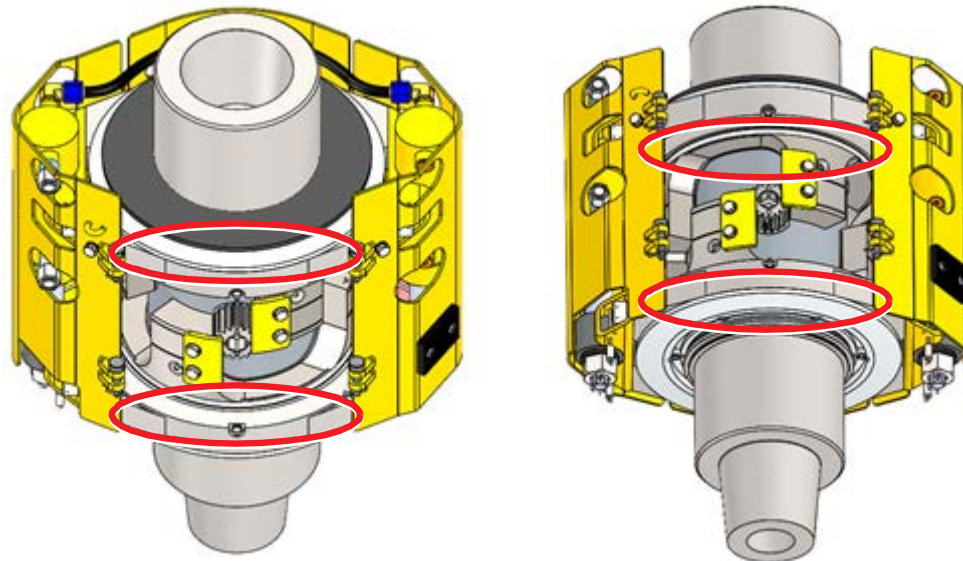


Figure 1: Labyrinth Seal Locations

2. Pump five shots of grease into each grease nipple on both bearings. See Figure 2. Use multi-purpose lithium complex grease, complying with N.L.G.I. classification No. 1 or No. 2. Rotate the bearings at least five revolutions to help distribute the grease throughout the bearing.

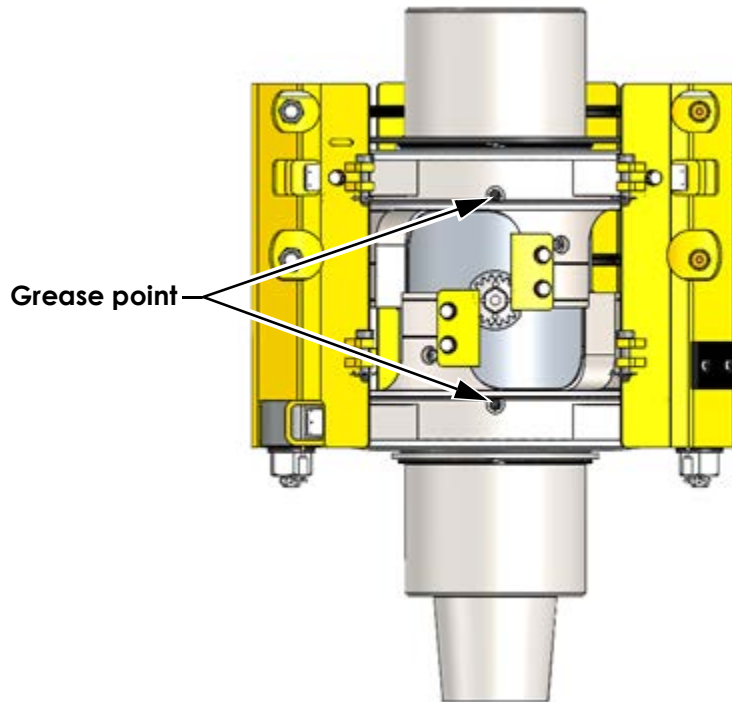


Figure 2: Bearing Greasing Location

3. Pump 5–10 shots of grease into each grease nipple and then rotate the bearings 5–10 revolutions.



Model: See Affected Units	Nov. 4, 2020
Serial #: N/A	

4. Repeat the previous step until new and clean grease is observed coming out of the labyrinth seals. See Figure 1 on page 1.
  5. Reinstall previously removed guard panels.
- Once a week, grease the bearings to excess as outlined in the procedure above.
  - Once per day, add 10–20 shots of grease into each of the bearing grease fittings. Add the grease in five shot increments and rotate the bearings to help distribute the grease throughout the bearing.